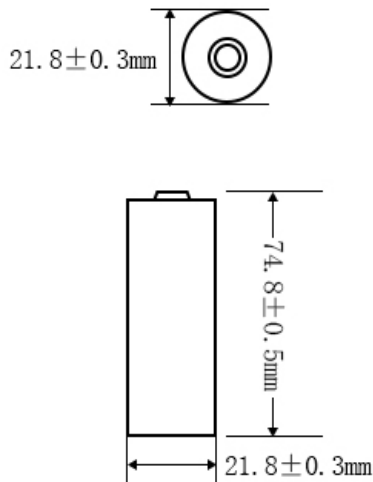


## XTAR 21700 6000mAh Li-ion Rechargeable Battery



### Standard Dimensions



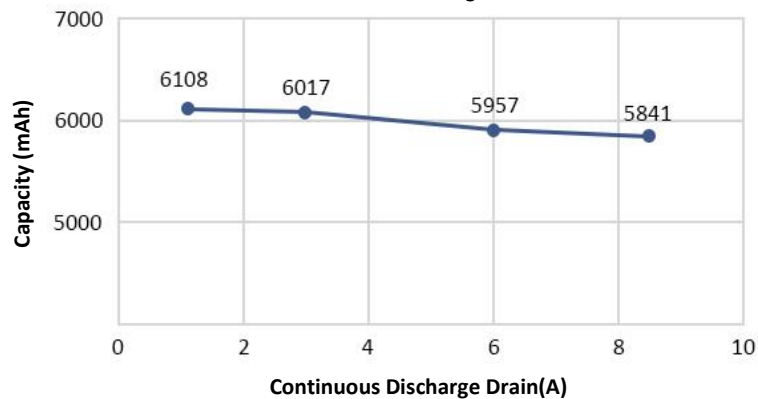
### Specifications

Nominal Capacity:	6000mAh
Minimum Capacity:	5850mAh
Nominal Voltage:	3.6V
Discharge cutoff voltage:	2.5V
Max Continuous Discharge Current:	10A
Internal Resistance:	≤45mΩ
Cycle Life:	600+
Standard Charging Voltage:	4.2±0.03V
Standard Charging Current:	3A
Max Charging Current:	4.2A
Discharge Overcurrent Protection:	11~14A
Transport Voltage:	3.6~3.9V
Protected:	Yes
Positive Pole:	Button Top
Operating Temperature:	-20 to 60°C
Storage Temperature:	-5 to 35°C (best ≤25°C)
Net Weight:	≤ 76g

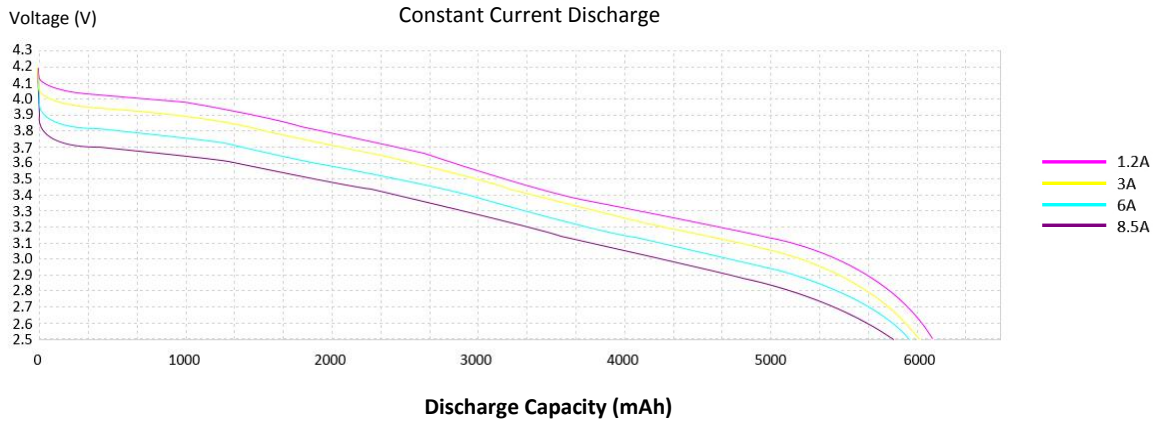
Name	XTAR 3.6V 21700 6000mAh Li-ion Rechargeable Battery			
Test Condition	Tests are carried out under the temperature of 20±5°C			
Test Current(A)	1.2	3	6	8.5
Measured Capacity (mAh)	6108	6017	5957	5841
Measured Energy (Wh)	21.5	20.8	19.9	19.0

### Milliamp-Hours Capacity

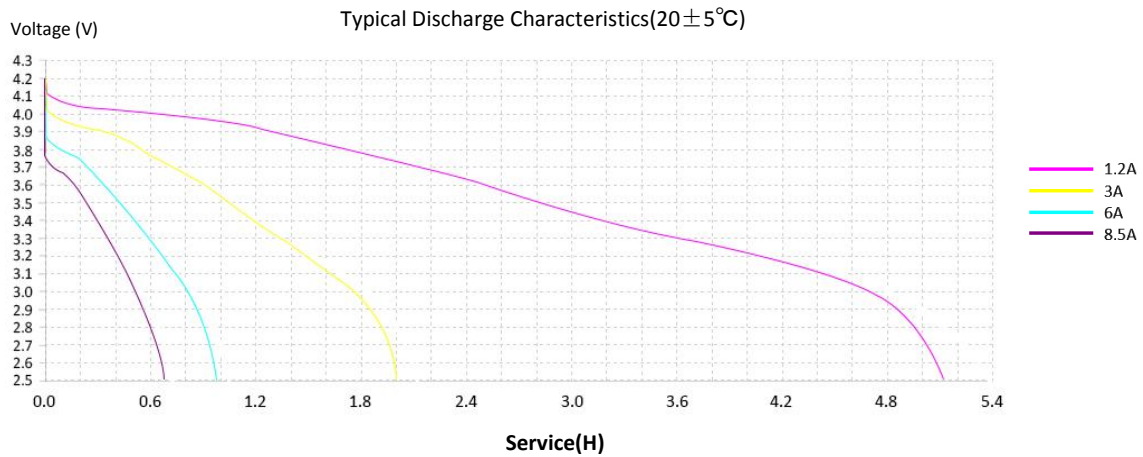
Constant Current Discharge to 2.5 Volts



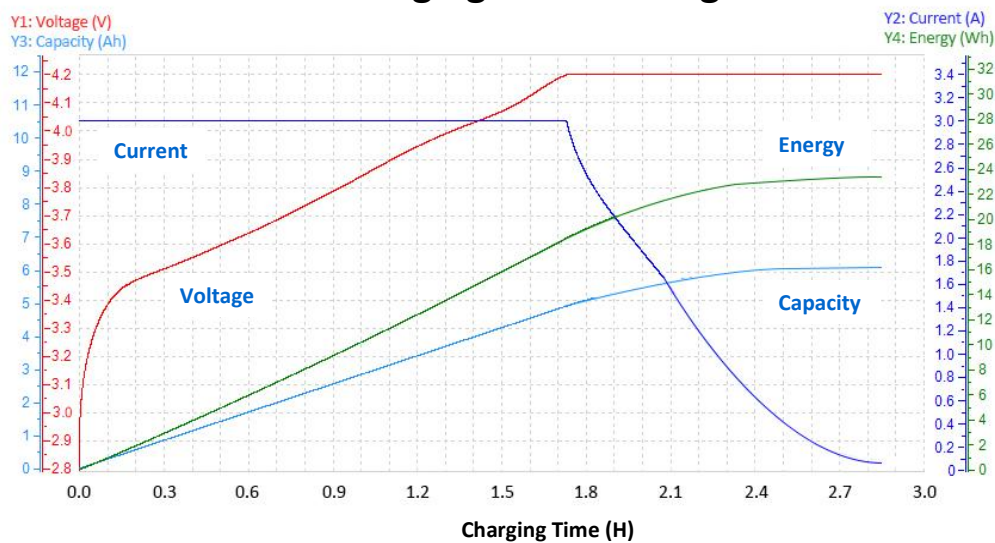
## Discharge Profile



## Constant Output Performance



## Charging Current Diagram



### Important Notice

This data sheet contains typical information specific to batteries manufactured at the time of its publication.

**Contents herein do not constitute a warranty.**

©XTAR - All Rights Reserved